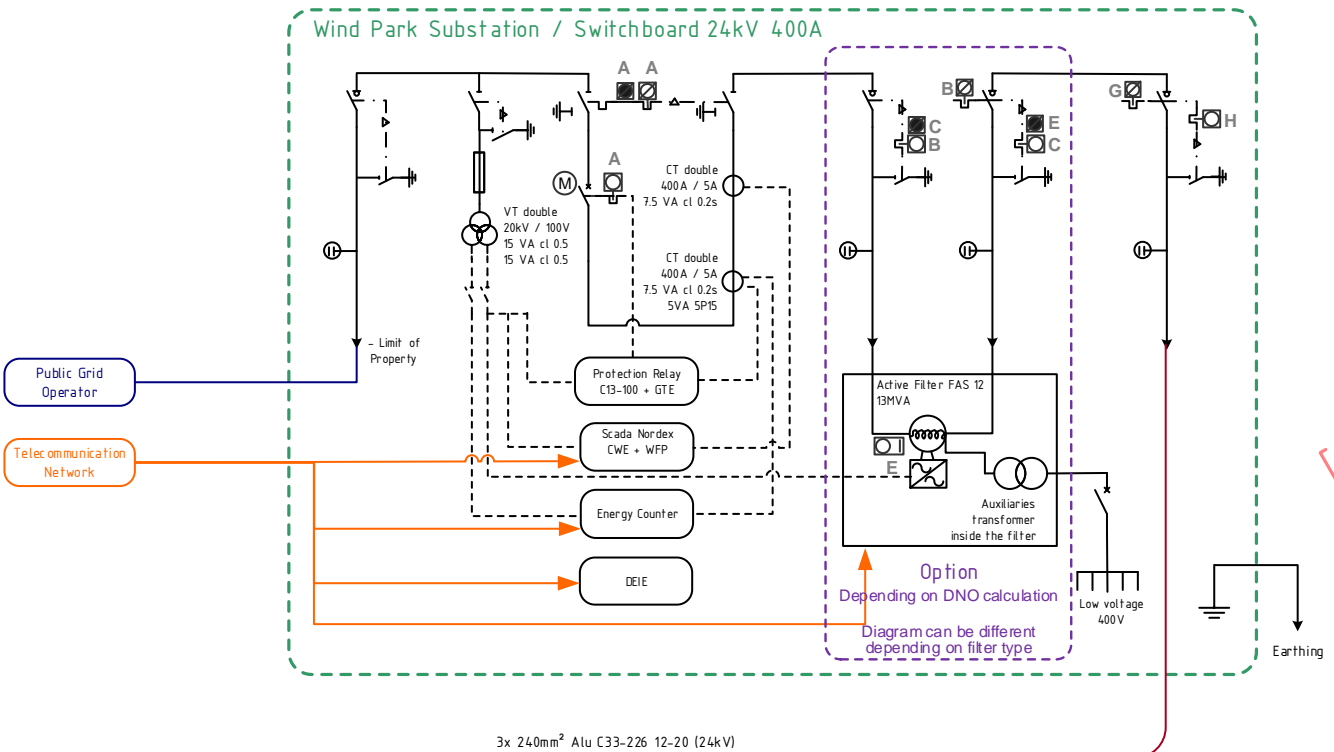
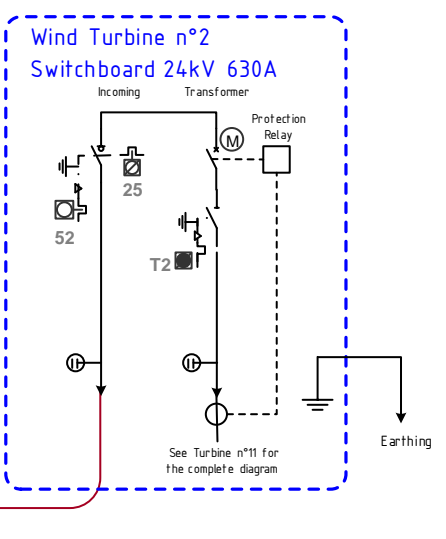
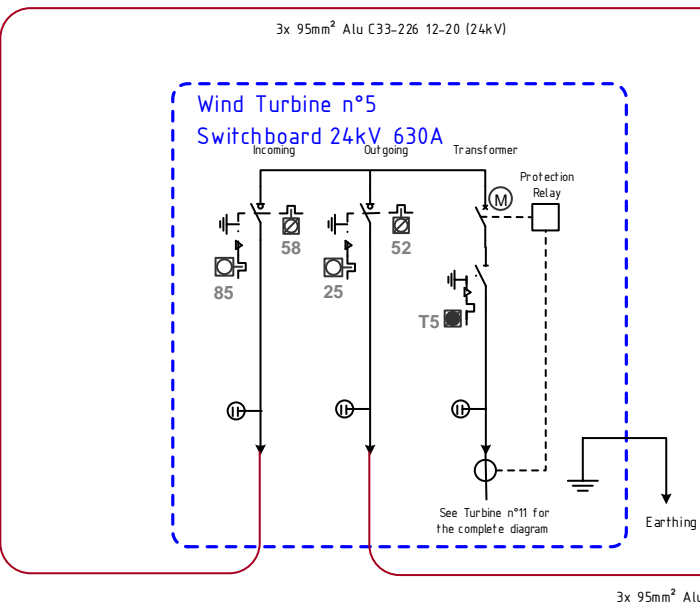
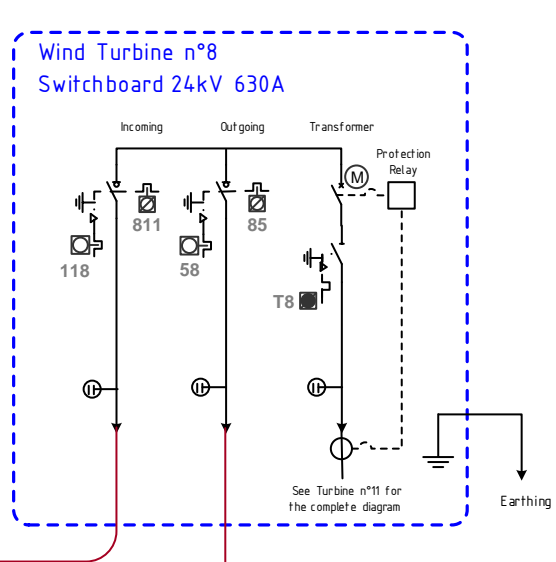
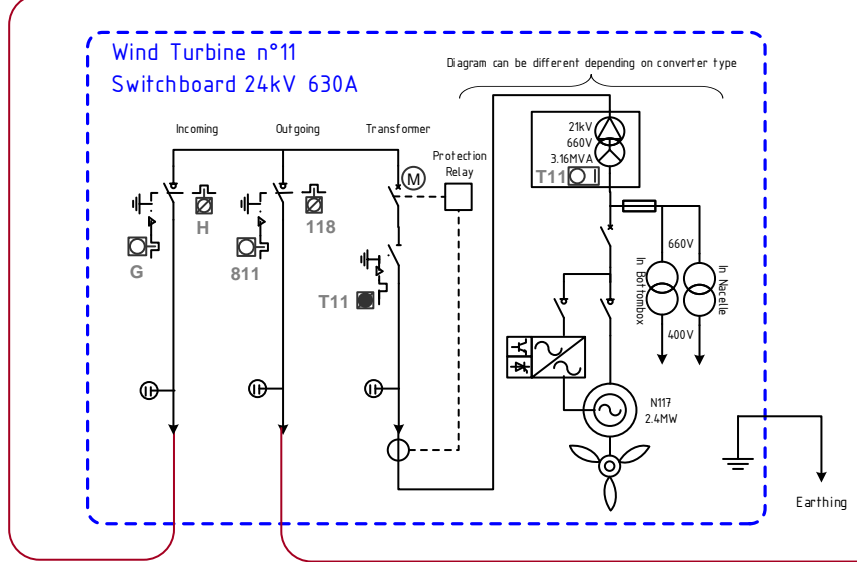


All Rights Reserved. No part of this publication may be reproduced, stored in a retrieval system, or transmitted, in any form or by any means, without the prior written consent of Nordex



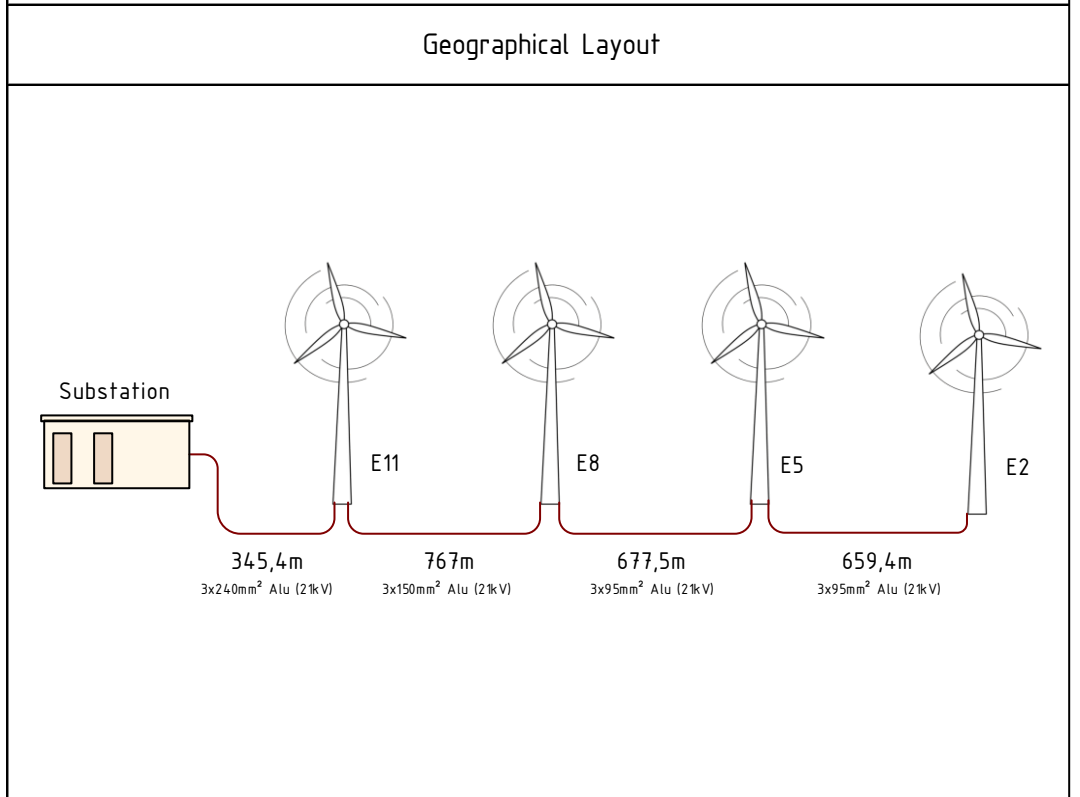
PROVISIONAL SINGLELINE DIAGRAM



Revision	Date	Modification	Name
0	27-juil-17	Creation	RBO
1			
2			
3			
4			
5			
6			
7			
8			

General Information

- Maximal Power Output: 9,6MW
- Contractual Voltage: 21kV
- Reactive Power Setpoint: $\tan\phi \in [0;0.1]$
- Grid Operator: ENEDIS
- Grid Operator Substation:
- GTE protection at the Substation:
- The cable lengths are approximative. This is the distance between the centers of the wind turbines regardless of the ground topology or the length necessary for the penetration in the wind turbine. Easement Reference: Plan PC



NFR-NDX-01

Single Line Diagram
Parc éolien du Chemin de
Chalons 1
 51240 Saint Martin Aux Champs
 4 x N117 2.4MW